

1

2

3

4

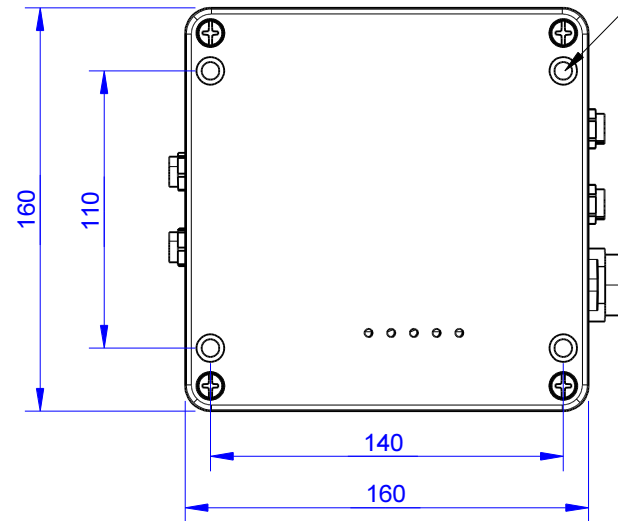
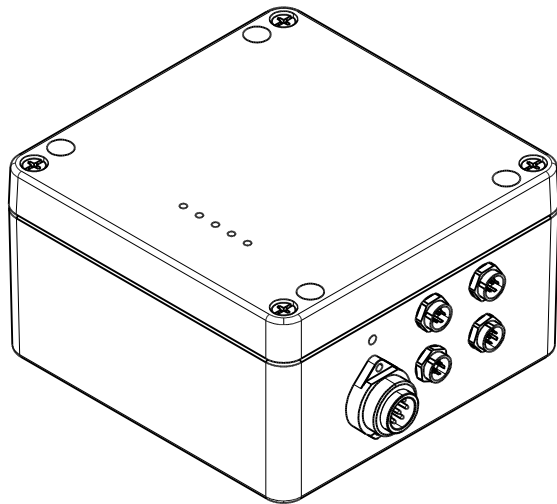
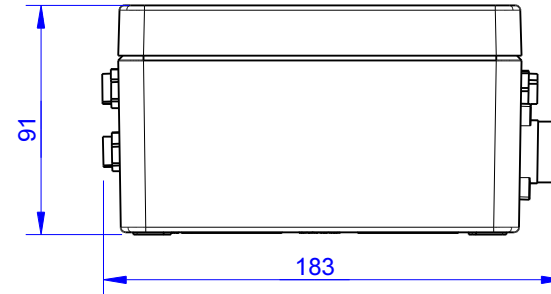
5

6

RevNo	Revision note		Date	Signature	Checked
-------	---------------	--	------	-----------	---------

VLM502 - E (Evaluation unit)
The evaluation unit only works in connection
with the VLM502 - O gauge head.

Length of wiring harness: 3m



Through-holes for mounting purposes (M6 screws)

Drawn by mwe	File name z:\... Design\VLM502\VLM502 O.AD_DRW	Article No. 61-1510-00	
Checked by bod	Material: Aluminium	Tolerance $\pm 0,1$	Date 15.08.2016
Approved by mir	Surface: RAL 5010		



ASTECH GmbH
 Schonenfahrerstr. 5
 18057 Rostock
 Tel. 0381-44073-0

VLM502-E

Dimension mm	Scale 1:3	Mass raw	Mass item	Edition A	Sheet 1/1
---------------------	------------------	----------	-----------	------------------	------------------

1

2

3

4

5

6