
User Manual

LDM 41/42 A

Firmware Version 7.02 and 8.03

Version 3.2



CE

Dear User,

You are advised to carefully read this User Manual before powering on the LDM 41/42 A Laser distance measuring sensor for the first time.

This is necessary to ensure that you will be able to utilize all the capabilities and features which your new acquisition provides.

This technology is subject to continuously ongoing development.

Editorial deadline: September 2010

Manual version: V 3.2

Firmware version: \geq 7.02 and 8.03

Note:

Proper care has been used in compiling this document. No liability will be accepted in the event of damage resulting from failure to comply with the information contained herein.

Content

1.	General	5
2.	Safety Instructions	7
2.1.	General Safety Instructions.....	7
2.2.	Intended & Conforming Use.....	7
2.3.	Nonconforming Use	7
2.4.	Laser Classification	8
2.5.	Electric Supply	9
2.6.	Important Operating Advice	9
3.	Technical Data	10
4.	Mechanical Mounting Conditions	12
5.	Assignments of Connector and Interface Cable	14
5.1.	Connector Terminal	14
5.2.	Interface Cable.....	15
5.3.	Shield and Grounding	17
5.4.	Termination of RS 232	18
6.	Limiting Values for Voltages	19
7.	Start up.....	20
8.	Commands and Parameter.....	22
8.1.	General	22
8.2.	DT.....distance tracking	26
8.3.	DS.....distance tracking (< 7 m)	26
8.4.	DW.....distance tracking with target board (10Hz)	26
8.5.	DX.....distance tracking with target board (50Hz)	27
8.6.	DF.....distance measurement with external trigger	27
8.7.	DM.....distance measurement	28
8.8.	TP.....internal temperature [°C]	28
8.9.	SA.....display/set average value [1..20]	28
8.10.	SD.....display/set display format [d/h/s].....	29
8.11.	ST.....display/set measure time [0..25]	30
8.12.	SF.....display/set scale factor	31
8.13.	SE.....display/set error mode [0/1/2]	32
8.14.	AC.....display/set ALARM center	32
8.15.	AH.....display/set ALARM hysteresis	32
8.16.	AW.....display/set ALARM width	33
8.17.	HO.....display/set temperature for heating on	33
8.18.	HF.....display/set temperature for heating off ¹⁷	33
8.19.	RB.....display/set distance of Iout=4mA	33
8.20.	RE.....display/set distance of Iout=20mA	34
8.21.	RMx y z.....display/set remove measurement.....	34

Content

8.22.	TDx y.....display/set trigger delay and trigger level	35
8.23.	TMx y.....display/set trigger mode trigger level	36
8.24.	BR.....display/set baud rate [2400..38400].....	38
8.25.	AS.....display/set auto start command	38
8.26.	OF.....display/set distance offset.....	38
8.27.	SO.....set current distance to offset.....	38
8.28.	LO.....Laser on	38
8.29.	LF.....Laser off	38
8.30.	PA.....display settings.....	39
8.31.	PR.....reset settings.....	39
9.	Interface Connection	40
9.1.	Serial Interface RS232	40
9.2.	Serial Interface RS422	41
9.3.	Output Format on the serial interface	42
9.4.	Digital Switching Output (Alarm)	43
9.5.	Analog Output	45
9.6.	Trigger Input.....	47
10.	List of Commands	48
11.	Error Codes.....	50
12.	PC Interface Cable (Option).....	51
13.	EC Declaration of Conformity	52
14.	Part Numbers	53

1. General

The LDM 41/42 A is a Laser sensor to measure distances from 0.1 m to more than 100 m with pinpoint accuracy.

A given target can be clearly identified with the help of a red Laser sighting point. In terms of operating reach, the LDM 41/42 A performs depending on the reflectance, morphology and qualities of the target to be measured.

The sensor works based on comparative phase measurement. It emits modulated Laser light which is diffusely reflected back from the target with a certain shift in phase to be compared with a reference signal. From the amount of phase shift, a required distance can then be determined with millimetre accuracy.

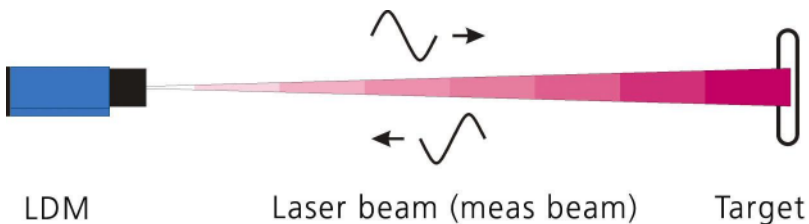


Figure 1: Measurement principle

A distance measuring cycle can be triggered in three different ways:

- By sending a command from the PC or another equivalent control unit
- By making appropriate prior parameter settings for the auto start command and applying supply voltage
- By external triggering (in remote-trigger mode).

For a more detailed description of these three trigger options, you should consult section chapter 8 of this User Manual.

Special performance features are:

- Provides high accuracy and great reach under extreme outdoor temperatures.
- Works in a wide range of operating voltages from 10 V= to 30 V= from an on-board vehicle supply point, an industrial direct voltage supply net or a DC power pack.
- Features consistently low power consumption of $<1.5 W^1$ (without I_{Alarm})
- Up to 30 m reach for distance measurement, with potential for more than 100 m reach if additional reflectors² are mounted onto the target (depending on reflectance and environmental conditions).
- Visible Laser beam for easier sighting.
- RS232 interface port for input of measuring functions and commands from, and output of measured values to, a PC or a laptop.
- Switching output and analog output are separately programmed.
- Switching output with adjustable limit and hysteresis.
- Measured values can be displayed in meters, decimetres, centimetres, feet and inches due to.
- Option for remote triggering of a measurement from an external trigger device.³

¹ inactive internal heating for devices with internal heating (LDM 41/42 A /h)

² e.g. 3M, self adhesive foil white non glossy or foil 3290 for longer distances

³ Trigger function is not available for devices with internal heating (LDM 41/42 A /h)

2. Safety Instructions

2.1. General Safety Instructions

These safety and operating instructions should be carefully read and followed during practical work with the LDM 41/42 A.



There is danger of Laser radiation or electrical shock. For necessary repair work, the LDM 41/42 A may not be opened by anyone other than Manufacturer personnel. Unauthorized intervention into the inner product space will void any warranty claims.

Compliance with all specified operating conditions is necessary. Failure to observe advisory notes or nonconforming product usage may cause physical injury to the user or material damage to the LDM 41/42 A.

Cable connectors must not be plugged or unplugged under voltage. Remember to turn voltage supply off before you begin working on cable connections.

2.2. Intended & Conforming Use

- Measurement of distances,
- Special measuring functions,
- Compliance with prescribed temperatures for operation/storage,
- Operation at correct voltage level,
- Application of specified signal levels to the appropriate data lines.

2.3. Nonconforming Use

- Do not operate the LDM 41/42 A in any other way than described under "Intended & Conforming Use" above and only in a proper working condition.
- Safety devices must not be defeated or otherwise rendered ineffective.
- Information and warning signs must not be removed.
- Repair work on the LDM 41/42 A must not be carried out by anyone other than authorized personnel.
- Refrain from using the LDM 41/42 A without certified protection in an explosive environment.

- Measurement with the LDM 41/42 A pointed at the sun or other strong light sources may produce faulty results.
- Measurement of targets with poor surface reflectance in a strongly reflecting environment may also result faulty measurements.
- Measurement of strongly reflecting surfaces may deliver faulty results.
- Measurement performed through transparent optical media, for example, glass, optical filters, Plexiglas, etc. may equally produce incorrect results.
- Measurement on translucent objects (materials allow light to pass through, but are not transparency, e.g. polystyrene, wax, different plastics etc.) can give a too large measured value, since also light is reflected by deeper layers.
- Rapidly changing measuring conditions are likely to falsify the result of measurement.

2.4. Laser Classification

The LDM 41/42 A is a Class 2 laser product ≤ 1 mW as stipulated in EN60825-1:2007, Class 2.

Caution:

There is Class 2 Laser radiation. Do not stare into beam!



Figure 2: Warning Sign Laser Radiation Class 2

The Laser power is limited to maximum 1 mW. The Laser radiation is visible. A short-term exposure (duration up to 0.25 s) is harmless to the eye.

Users are instructed by Laser warning sign (see Figure 2) to do not stare into the beam. They have to protect themselves by turn the head and/or closing the eyes and by avoid a long look into the beam.

Do not direct the Laser beam onto persons.

The sensor can use without any additional safety protection.

2.5. Electric Supply

Use only 10 V to 30 V DC (direct voltage) for LDM 41/42 A operation. Use only the specially designated connector terminal for voltage supply. Specified signal levels must not be exceeded, in order to guarantee correct data communication.

2.6. Important Operating Advice

To make full use of the system's inherent performance capabilities and achieve a long service life, you should always follow these operating rules:

- Do not turn the module on if there is fogging or soiling on its optical parts!
- Do not touch any of the module's optical parts with bare hands!
- Proceed with care when removing dust or contamination from optical surfaces!
- Prevent shock impacts during and use of the LDM 41/42 A!
- Prevent overheating of the LDM 41/42 A!
- Prevent major temperature variances during LDM 41/42 A operation.
- In accordance with IP65 internal protection standards, the LDM 41/42 A is designed to be splash proof and dustproof.
- Read these safety and operating instructions with due care and follow them in practical use.

3. Technical Data

Measurement range ⁴ :	0.1 m up to 30 m with natural surfaces, depending on target reflectance or reflectors more than 100 m achievable ⁵
Measuring accuracy ⁶ :	± 2 mm under defined measuring conditions ⁷ ± 3 mm (+15 °C up to +30 °C) ± 4 mm in DS mode <0.5 m (+15 °C ... 30 °C) ± 5 mm (-10 °C up to +50 °C)
Resolution ⁸ :	0.1 mm, user scalable, standard 1 mm
Reproducibility:	± 0.5 mm
Measuring time:	0.24 up to 6 s setup or auto mode DT 0.1 s (10 Hz) mode DW at white surface 20 ms (50 Hz) mode DX at white surface (only LDM 42 A)
Target motion speed:	≤ 4 m/s in DX-Mode (LDM 42 A only)
Acceleration:	≤ 2.5 m/s ² in DX-Mode (LDM 42 A only)
Operating temperature:	- 10 °C up to + 50 °C - 40 °C up to + 50 °C (LDM 41/42 A /h only)
Storage temperature:	- 20 °C up to + 70 °C
Supply voltage:	10 V up to 30 V DC (protected against polarity reversal) ⁹
Power consumption:	depending on operating mode < 0.4 W for standby, < 1.5 W for distance tracking, < 24 W with heating active (LDM 41/42 A /h only)

⁴ dependent on target reflectance, stray light influences and atmospheric conditions

⁵ e.g. 3M, self adhesive foil white non glossy

⁶ statistic spread 95 %

⁷ for measurement at a planar white target surface in continues movement or still standing, +15 up to +30 °C

⁸ dependent on target reflectance, stray light influences and atmospheric conditions

⁹ Please use only 24V DC For devices with heating (LDM 41/42 A / h) The heater is connected directly to the power supply.

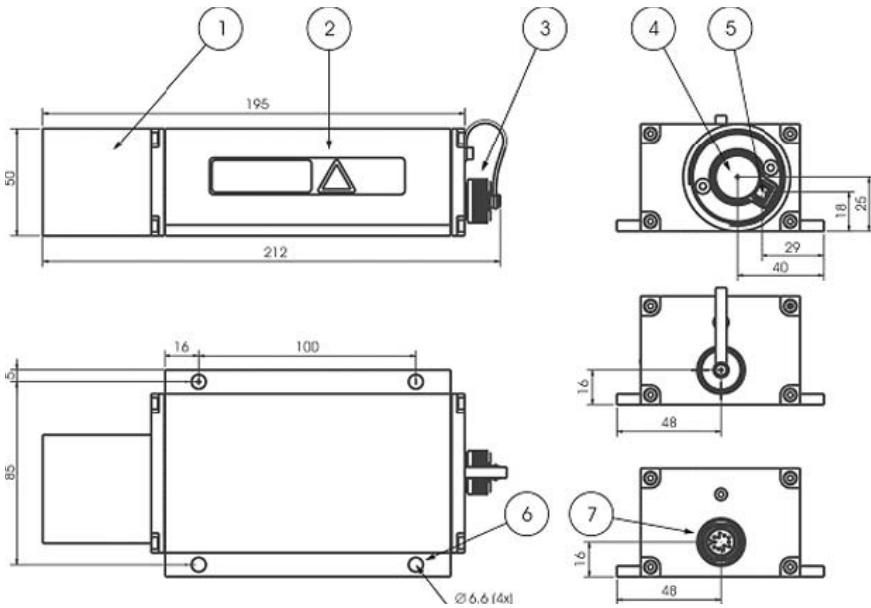
Data interface:	RS 232 or RS 422, baud rate 9600 (2400...38400), ASCII, format 8N1 (fix)
Digital switching output:	"high-side switch", programmable switching threshold and hysteresis, rated for max. load of 0.5 A, HIGH = UB - 2 V, LOW < 2 V
Analog output:	4 mA up to 20 mA current output, Adjustable distance range limits, programmable on error event, 3 mA or 21 mA, load resistance: $\leq 500 \Omega$, accuracy: $\pm 0.15 \%$, temperature drift: < 50 ppm/K
Trigger input ¹⁰ :	external trigger, trigger pulse 3 up to 24 V, pulse length ≥ 1 ms, start of measurement 5 ms + trigger delay, programmable trigger slope and delay can be set (0 ms ... 9999 ms),
EMC:	EN 61326-1
Shock resistance:	10 g / 6 ms persistence shock DIN ISO 9022-3-31-01-1
Laser Class:	Laser Class 2, under EN60825-1:2007, Class 2
Wave length:	650 nm (red visible)
Laser divergence ¹¹ :	0.6 mrad
Laser angle tolerance:	better than $\pm 1^\circ$ to the ground plane
Average service life:	100,000 h at 60 °C Laser temperature (internal)
Connector:	12-pol. M18 male socket, Binder series 423
Dimensions (LxWxH):	212 x 96 x 50 (mm)
Mounting:	100 x 85 (mm), 4 x M6 holes
Weight:	approx. 760 g
Protection class:	IP 65 (spatter water and dust protection)

¹⁰ trigger function is not available for devices with internal heating (LDM 41/42 A/h)

¹¹ at 10 m distance the beam diameter is 6 mm, at a distance of 50 m it is 3 cm and at a distance of 100 m it is 6 cm

4. Mechanical Mounting Conditions

The casing consists of a rugged, corrosion-resistant extruded aluminum profile with front-side and rear-side covers also in corrosion-resistant design. Four mounting holes are provided in the base plate for mechanical attachment of the LDM 41/42 A.



- 1 Equalizer tube at front cover
- 2 Casing
- 3 Protective cap for flange-mount connector
- 4 Receiver optics
- 5 Sender optics
- 6 Mechanical mounting holes (four)
- 7 12-pole M18 flange-mount connector (Binder series 723)

Figure 3: Dimensional drawing

To protect the sensor's optical surfaces from dust, physical contact, mechanical impacts, etc., the casing has a protection tube attached to it. Optionally different protection windows and optical filters are available. Please note that measurement cannot be guaranteed to function correctly if the equalizer tube is removed by unqualified action!

The interface connector is located on the back cover. Interface cables with different length are available (standard 2 m, optionally 5 or 10 m).

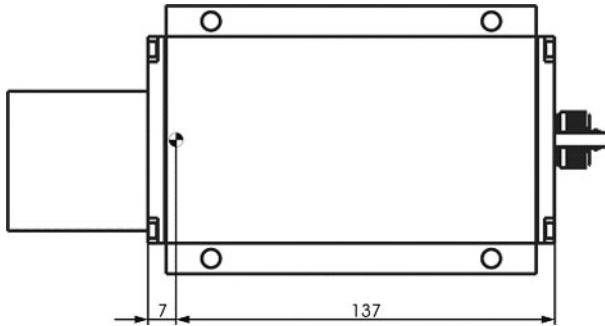


Figure 4: Offset against zero-edge

The LDM 41/42 A's zero-point is located 7 mm behind the outer surface of the front cover or 137 mm before the back cover outside face respectively. This zero-point has been introduced for constructional design reasons. It can be compensated with the help of parameter "OF" (see section 8.26 OF.....display/set distance offset).

5. Assignments of Connector and Interface Cable

5.1. Connector Terminal

Located on the back cover is a connector terminal. A 12-pole round-type (flange-mount) series 723 connector from Binder has been selected for this purpose. It is sealed against the casing to comply with IP 65 requirements. This connector type guarantees optimized screening and a high IP degree.

The required counterpart is a cable jack (series 423 from Binder) with grading ring.

Interface cables with different length are available (standard 2 m, optionally 5 or 10 m). Under RS 232 C or RS 422 norm it's possible to extend the length with a high quality screened cable.

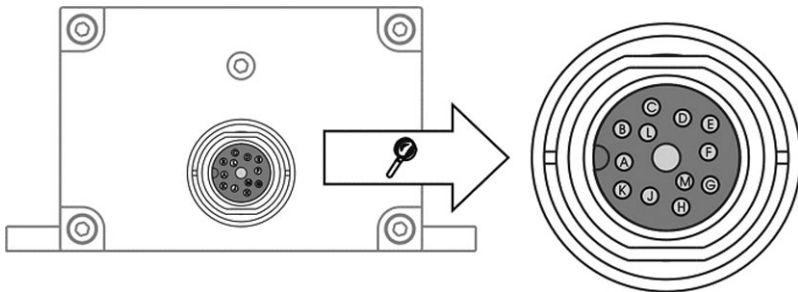


Figure 5: View of LDM 41/42 A pole assignments

5.2. Interface Cable



Caution:
 The cable end is exposed! The user is responsible to take precautions that will prevent any kind of shorts!
 The cable shield has to be connecting to earth with low resistance.



Figure 6: Interface cable with connector

Interface cable wiring assignments are as follows¹²:

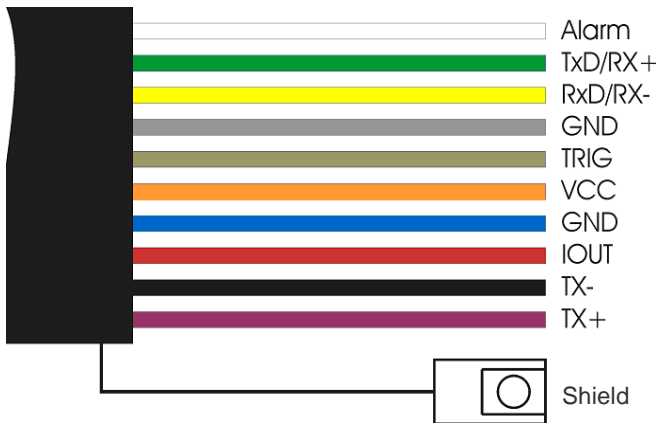


Figure 7: Interface cable color codes

¹² TRIG is not connected in devices with internal heating (LDM 41/42 A /h)

Assignments of Connector and Interface Cable

Pin	Colour	Assignment	Function RS 232	Function RS 422
A	Green	TxD / RX+	RS 232 send data	RS 422 receive data +
B	Yellow	RxD / RX-	RS 232 receive data	RS 422 receive data -
C ¹³	Brown	TRIG	External trigger input	External trigger input
D	Red	IOUT	Analog output	Analog output
E	Black	TX-	RS 422 send data -	RS 422 send data -
F	Violet	TX+	RS 422 send data +	RS 422 send data +
G	Orange	VCC	Supply voltage	Supply voltage
H	White	ALARM	Digital switching output	Digital switching output
J	Grey	GND	Ground potential	Ground potential
L	Blue	GND	Ground potential	Ground potential

GND wires are connected to an internal collective ground point. They provide the reference potential for all voltage values quoted below.



Caution: If input signals are applied to an output port, this may damage the LDM 41/42 A!

Do not connect the current output IOUT (red) to the power supply (10 ... 30 V). This will destroy the interface board!

For data communication via RS232, you are recommended to use cable 4 (grey, GND) for signal ground and cable 7 (blue, GND) for supply ground!

The limiting values of voltages, load rates and logic levels are in accordance with RS232 and RS422 standard requirements. All outputs are protected against steady short-circuit currents.

¹³ Trigger function is not available for devices with internal heating (LDM 41/42 A /h)

5.3. Shield and Grounding

The cable shield must be grounded with low resistance. For cable extension use only high quality shielded cable e.g. type „10XAWG224CULSW “.

Carrier base and control box should be having equal potential. Potential differences are reason for electrical current and can cause EMC problems (no correct measurement function or switch off/on of the gauge necessary).

If no potential equalization is possible, mount the LDM 41/42 A isolated (3) from the carrier base (use Nylon screwing and washers).

Use screened cable, e.g. “10XAWG224CULSW“, remember to extend also the cable screen (1). Connect screen to power supply reference potential GND on cable end (2).

For integration with vehicles use also this isolated mounting.

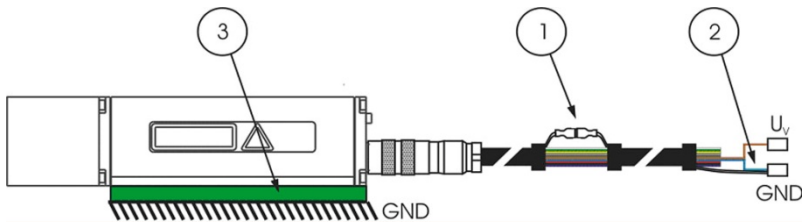


Figure 8: Isolated Mounting

5.4. Termination of RS 232

RxD and TxD data lines should be kept as short as possible in all cases, because they tend to have an interference emitting and interference receiving effect, notably, when in open state. Especially in environments with strong spurious radiation there may be faults that may in some cases require a reset (turning the LDM41 off and on again). In cases where no RS232 interface communication is required after parameterization, you should provide for a termination wiring as shown in Figure 9.

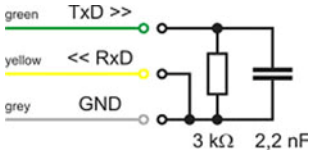


Figure 9: Recommended terminations wiring for work with open RS232

Make sure you leave no data line end open. It will be highly sensitive to interferences (EMC). A terminator circuit should be installed when the RS 232 is unconnected. This circuit must be provided by the customer (see diagram on the left).

Please keep the RS 232 norm. The maximal cable length of the RS 232 is 15 m. Use alternatively a RS 422 connection (use shielded twisted pair cable, maximum 300 m, termination resistor 100 Ω).

6. Limiting Values for Voltages

Input voltages:

Terminal point	Voltage	Comment
VCC	30 V	pole-reversal-protected
TxD	± 13.2 V	short-circuit-proof
RxD	± 25 V	short-circuit-proof
TX+	± 14 V	short-circuit-proof
TX-	± 14 V	short-circuit-proof
RX+	± 14 V	short-circuit-proof
RX-	± 14 V	short-circuit-proof
TRIG ¹⁴	± 25 V	short-circuit-proof

Output voltages:

Terminal point	Voltage	Comment
TxD	± 5.4 V	± 5 V at 3 k Ω load
TX+, TX-	≥ 2 V	differentially at 2 x 50 Ω load
Alarm	$\geq VCC - 2$ V	level depending on VCC

All outputs are sustained-short-circuit-proof to ground (GND).



Caution: Do not connect the current output IOOUT (red) to the power supply (10 ... 30 V). This will destroy the interface board!

¹⁴ Trigger function is not available for devices with internal heating (LDM 41/42 A /h)

Start up

7. Start up

Make sure that all cable ends are protected against short circuit effects before you turn on power supply!

Connect cable terminals as required for the particular operating mode. To prevent short circuits, you should seal unused cable ends!

For starting up, a PC with RS232 or RS422 data interface and a terminal program are required. We recommend the Windows program LDMTOOL Version 3.0 or higher.

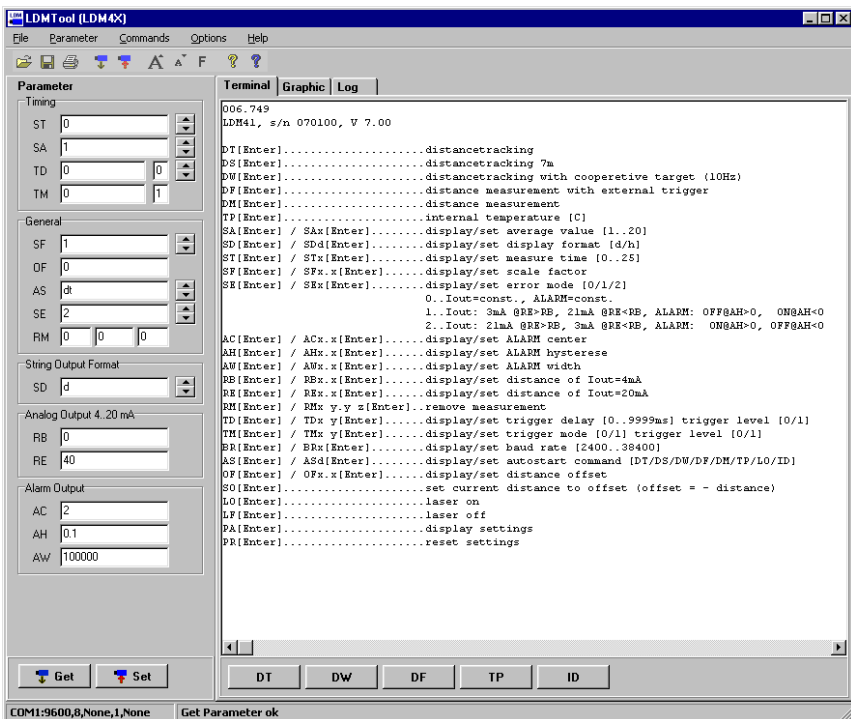


Figure 10: Program LDMTool

As part of preparative actions, the LDM 41/42 A must be properly installed in the designated working site, oriented onto the target and kept in a stable position. The target to be measured should preferentially have a homogeneous, bright surface.



Caution: Do not use any retro reflectors!

Alignment of the LDM 41/42 A is facilitated by a Laser beam¹⁵ that is visible and can easily be turned on at the PC.

Operating voltage supply must be connected to the corresponding ends of the interface cable. A pole-reversal protection is integrated to prevent the destruction of electronic components.

¹⁵ depending on ambient light and target conditions

8. Commands and Parameter

8.1. General

The LDM 41/42 A can be parameterized very easy with the PC. The PC must be equipped with a serial interface RS 232 and/or RS 422 according to the attached LDM 41/42 A. The use of USB to serially converters is also possible. An optionally programming cable is necessary (see caper 12 page 51). On the PC a terminal program must be installed (LDMTOOL or HyperTerminal). By selecting ID[Enter] command, you may call up the menu with available setup commands (DX[Enter] only LDM 42 A):

```
LDM4x, s/n xxxxxx, V 7.x
DT[Enter].....distancetracking
DS[Enter].....distancetracking 7m
DW[Enter].....distancetracking with cooperative target(10Hz)
DX[Enter].....distancetracking with cooperative target(50Hz)
DF[Enter].....distance measurement with external trigger
DM[Enter].....distance measurement
TP[Enter].....internal temperature [C]
SA[Enter] / SAX[Enter].....display/set average value [1..20]
SD[Enter] / SDD[Enter].....display/set display format [d/h/s]
ST[Enter] / STX[Enter].....display/set measure time [0..25]
SF[Enter] / SFX.x[Enter].....display/set scale factor
SE[Enter] / SEX[Enter].....display/set error mode [0/1/2]
                        0..Iout=const., ALARM=const.
                        1..Iout: 3mA @RE>RB, 21mA @RE<RB,
                        ALARM: OFF@AH>0, ON@AH<0
                        2..Iout: 21mA @RE>RB, 3mA @RE<RB,
                        ALARM: ON@AH>0, OFF@AH<0
AC[Enter] / ACx.x[Enter].....display/set ALARM center
AH[Enter] / AHx.x[Enter].....display/set ALARM hysteresis
AW[Enter] / AWx.x[Enter].....display/set ALARM width
RB[Enter] / RBx.x[Enter].....display/set distance of Iout=4mA
RE[Enter] / REx.x[Enter].....display/set distance of Iout=20mA
RM[Enter] / RMx y.z[Enter]..remove measurement
TD[Enter] / TDx y[Enter].....display/set trigger delay [0..9999ms]
                        trigger level [0/1]
TM[Enter] / TMx y[Enter].....display/set trigger mode [0/1] trigger
                        level [0/1]
BR[Enter] / BRx[Enter].....display/set baud rate [2400..38400]
AS[Enter] / ASD[Enter].....display/set autostart command [DT/DS/
                        DW/DX/DF/DM/TP/LO/ID]
OF[Enter] / OFx.x[Enter].....display/set distance offset
SO[Enter].....set current distance to offset
                        (offset = - distance)
LO[Enter].....Laser on
LF[Enter].....Laser off
PA[Enter].....display settings
PR[Enter].....reset settings
```

Figure 11: Help text Firmware V7.x

```

LDM42, SN xxxxx, V 8.02
DT[Enter].....distance tracking
DS[Enter].....distance tracking 7m
DW[Enter].....distance tracking with cooperative target
                (10Hz)
DX[Enter].....distance tracking with cooperative target
                (50Hz)
DM[Enter].....distance measurement
TP[Enter].....internal temperature [C]
SA[Enter] / SAx[Enter].....display/set average value [1..20]
SD[Enter] / SDd[Enter].....display/set display format [d/h/s]
ST[Enter] / STx[Enter].....display/set measure time [0..25]
SF[Enter] / SFx.x[Enter].....display/set scale factor
SE[Enter] / SEx[Enter].....display/set error mode [0/1/2]
                0..Iout=const., ALARM=const.
                1..Iout: 3mA @RE>RB, 21mA @RE<RB, ALARM:
                OFF@AH>0, ON@AH<0
                2..Iout: 21mA @RE>RB, 3mA @RE<RB, ALARM:
                ON@AH>0, OFF@AH<0
AC[Enter] / ACx.x[Enter].....display/set ALARM center
AH[Enter] / AHx.x[Enter].....display/set ALARM hysteresys
AW[Enter] / AWx.x[Enter].....display/set ALARM width
HO[Enter] / HOx[Enter].....display/set temperature of heating on [ -40*C
                ... +70*C]
HF[Enter] / HFx[Enter].....display/set temperature of heating off[ -40*C
                ... +70*C]
RB[Enter] / RBx.x[Enter].....display/set distance of Iout=4mA
RE[Enter] / REx.x[Enter].....display/set distance of Iout=20mA
RM[Enter] / RMx y.y z[Enter]..remove measurement
BR[Enter] / BRx[Enter].....display/set baud rate [2400..38400]
AS[Enter] / ASd[Enter].....display/set autostart command
                [DT/DS/DW/DX/DM/TP/LO/ID]
OF[Enter] / OFx.x[Enter].....display/set distance offset
SO[Enter].....set current distance to offset
                (offset = -distance)
LO[Enter].....laser on
LF[Enter].....laser off
PA[Enter].....display settings
PR[Enter].....reset settings

```

Figure 12: Help text Firmware V8.x

In preparation of a measurement so the sensor can be adapted by intelligent parameterize optimally to the measuring conditions and the measuring task.

All valid settings will be preserved on turning the LDM 41/42 A off! They can only be replaced with new value entries or changed back to their standard values by running an initialization routine.

Command entries are not case-sensitive. This means that small and capital lettering can be used for commands.

Any command must be terminated by a hexadecimal 0Dh (carriage return) character.

Where decimal digits are to be entered, they must be separated by period (2Eh).

For command parameter entries, one must distinguish between parameter settings and parameter queries.

Querying is achieved with a command in simple format, e.g. (for alarm center parameters):

AC[Enter]

For parameter setting, a new value must be added after the command with no delimitation sign in between, for example:

AC20.8[Enter]

In the given example, the alarm center will be set to 20.8.

The following is a short overview of the commands:

Command	Description
DT	Starts distance tracking
DS	Starts distance tracking (< 7 m)
DW	Starts distance tracking on white target at 10 Hz
DX	Starts distance tracking on white target at 50 Hz (only LDM 42 A)
DF¹⁶	Starts remote-triggered single distance measurement
DM	Starts single distance measurement
TP	Queries inner temperature
SA	Queries / sets floating average value (1...20)
SD	Queries / sets output format (dec/hex/sig)
ST	Queries / sets time to measure (0...25)
SF	Queries / sets scale factor
SE	Queries / sets error mode (0, 1, 2)

¹⁶ Trigger function is not available for devices with internal heating (LDM 41/42 A /h)

AC	Queries / sets alarm center
AH	Queries / sets alarm hysteresis
AW	Queries / sets alarm with
HO¹⁷	Queries / sets temperature for heating on
HF¹⁷	Queries / sets temperature for heating off
RB	Queries / sets beginning of range (4 mA)
RE	Queries / sets end of range (20 mA)
RM	Queries / sets removal measurement parameters
TD	Queries / sets trigger delay and level
TM	Queries / sets trigger mode and level
BR	Queries / sets baud rate
AS	Queries / sets auto start
OF	Queries / sets offset
SO	Sets current distance as offset
LO	Turns Laser on
LF	Turns Laser off
PA	Displays all parameter values
PR	Resets all parameters to standard values (don't use)

¹⁷ Only for devices with internal heating (LDM 41/42 A /h)

8.2. DT.....distance tracking

Input parameter SA, SD, SE, SF, ST, OF

Output RS232/RS422, digital switching output, analog output

DT mode can be chosen for distance measurement of different kinds of surfaces (varying reflectance). In this type of distance tracking mode, the LDM 41/42 A uses internal algorithms to continuously evaluate the quality of the Laser radiation signal that is coming back. This may cause longer measuring times in the case of poor reflectance or sudden jumps in distance.

The minimum time to measure is 240 ms, the maximum time is 6 s. If the measuring signal fails to reach a specified quality within six seconds, an error message is output.

The time to measure may also be limited by setting the ST parameter to a desired value. ESC stops the measurement.

8.3. DS.....distance tracking (< 7 m)

Input parameter SA, SD, SE, SF, ST, OF

Output RS232/RS422, digital switching output, analog output

Operation in DS mode makes sense where different types of surfaces have to be measured at close range up to 7 m. Compared to DT measuring mode, it allows a higher measurement rate. Within the range from 0.1 m to 0.5 m, measuring accuracy is restricted (± 4 mm). Measuring time (time to measure) can be limited via ST parameter settings.

ESC stops the measurement.

8.4. DW.....distance tracking with target board (10Hz)

Input parameter SA, SD, SE, SF, OF

Output RS232/RS422, digital switching output, analog output

DW mode performs at a steady measuring rate of 10 Hz. As a necessary precondition for measured values to be stable, a white target board must be placed at the selected object. There must be no sudden jumps in distance greater than 16 cm within the measuring field!

ESC stops the measurement.

8.5. DX.....distance tracking with target board (50Hz)

Input parameter SA, SD, SE, SF, OF

Output RS232/RS422, digital switching output, analog output

DX mode performs at a steady measuring rate of 50 Hz (only LDM42). As a necessary precondition for measured values to be stable, a white target board must be placed at the selected object.

This measurement mode is intended in the first place for objects performing homogeneous motion up to 4m/s. For higher rates of measurement, preceding measured values will be included in the process to calculate a currently measured value. There must be no sudden jumps in distance greater than 16 cm within the measuring field!



Caution: To prevent transmission problems, please use 9600 baud as the minimal baud rate for DX Mode.

8.6. DF.....distance measurement with external trigger¹⁸

Input parameter SD, SE, SF, ST, OF, TD, ST, SA, RM

Output RS232/RS422, digital switching output, analog output

DF mode allows a measurement that is triggered by an external trigger pulse.

Initially, after selecting this mode, the operator does not receive any response. As soon as the trigger pulse has been detected, the LDM 41/42 A will send data and switches to digital and/or analog output. Settings for trigger delay (delay) and trigger slope can be defined via parameter TD (see 8.22 TDx y.....display/set trigger delay and trigger level).

With ST=1 the maximum trigger frequency should not exceed 3.5 Hz.

¹⁸ Trigger function is not available for devices with internal heating (LDM 41/42 A /h)

8.7. DM.....distance measurement

Input parameter SD, SE, SF, ST, OF

Output RS232/RS422, digital switching output, analog output

DM mode triggers a single measurement (single shot).

8.8. TP.....internal temperature [°C]

TP queries the value of the inner LDM 41/42 A temperature.

Note: In tracking mode, the inner temperature may exceed the surrounding temperature level by as much as 10 K.

8.9. SA.....display/set average value [1..20]

SA allows you to calculate a floating average value from 1 to 20 measured values. Calculation is based on this formula:

$$\text{Average value } x = \frac{X_1 + X_2 + X_3 + \dots + X_n \text{ (20)}}{n}$$

Standard setting is 1 (no average).

8.10. SD.....display/set display format [d/h/s]

SD selects the output format of measured value data. There are three modes available:

Parameter	Output	Format
d	decimal	xxx.xxx<CR><LF> x=0...9
h	hexadecimal	<SPACE>xxxxxx<CR><LF> x=0...F
s	decimal with signal quality	xxx.xxx<SPACE>yyyyyy<CR><LF> x=0...9; y=0...9

SD affects all commands that output a distance value.

An output value is calculated from a given measured distance value (in mm), multiplied by the scale factor SF.

Negative distance values are output in two's complement notation.

The value for the signal quality varies between 0 and 1024. 0 means a bad signal quality while 1024 indicates a very good signal quality.

Examples:

Distance = 4.996 m, SF1

```
dec:      004.996<CR><LF>
hex:      _001384<CR><LF> (= 4996 mm x SF1)
dec+sig:  004.996_000005<CR><LF> (bad signal quality)
dec+sig:  004.996_000985<CR><LF> (good signal quality)
```

Distance = 4.996 m, SF10

```
dec:      049.960<CR><LF>
hex:      _00C328<CR><LF> (= 49960 = 4996 mm x SF10)
dec+sig:  004.996_000005<CR><LF> (bad signal quality)
dec+sig:  049.960_000985<CR><LF> (good signal quality)
```

Error case

```
dec/hex:  E15<CR><LF>
(see page 50 chapter 11 Error Codes)
```

8.11. ST.....display/set measure time [0..25]

Measuring time is directly conditional on the selected measuring mode. As a general rule, one may say: the poorer the reflectance of the surface of a particular target, the more time the LDM 41/42 A will require to determine the distance with specified accuracy. For example, if error message E15 is output because of poor reflectance and insufficient time to measure, this latter setting must be increased.

The available value range for measuring time is 0 to 25. Basically, the greater the time setting is the more time will be available for measurement and the lower the resulting measuring rate.

An exception there from is zero-value. In this case, the LDM 41/42 A automatically picks the smallest possible time value for measurement! The LDM 41/42 A comes factory-set with $ST = 0$.

ST is effective in the DT, DF and DM mode of operation.

The measuring time setting option can also be used to modify the measuring rate, for example, in order to restrict the data volume or for synchronization purposes. Measuring time can only be set as an approximate value, because the underlying principle of measurement is subject to certain variances that cannot be accounted for:

DT measuring mode → measuring time = $ST \times 240$ ms (except $ST = 0$)

DS measuring mode → measuring time = $ST \times 150$ ms (except $ST = 0$)

Example:

The target distance is 25 m, but the target's reflectance is not ideal. With a measuring time setting of ST 2, E15 will be output following measurement. The user must increase the time ($ST > 2$) or set auto ($ST 0$) to measure in this case!



One should work in DW or DX measuring mode where stable measuring times are required.

8.12. SF.....display/set scale factor

SF multiplies a calculated distance value with a user-selectable factor for changes in resolution or outputs in a different unit of measure. The scale factor may also be negative. Standard setting is 1.

The scale factor influence the output of measurement results, Offset (OF), Alarm Centre (AC), Alarm Hysteresis (AH), Range Begin (RB) and Range End (RE)!

Scale factor	Resolution	Output	Output Unit
SF1	1 mm	12,345	m
SF10	0,1 mm	123,45	dm
SF1.0936	0,01 yard	13.500	yard
SF3.28084	0,01 feet	40.501	feet
SF0.3937	1 inch	4.860	100 inch
SF-1	1 mm	-12.345	m



Note: Following a change in the scale factor, the settings for digital and/or analog output and offset must be matched accordingly!

8.13. SE.....display/set error mode [0/1/2]

SE (error mode) allows you to configure the behaviour of the digital switching output (alarm) and/or the analog output following an error message (E15, E16, E17). Depending on the particular LDM 41/42 A application environment, error messages have to be handled in different ways.

Available setting options are 0, 1 and 2 with the following effects in the case of an error:

SE	Digital switching output (Alarm)	Analog output (4 ... 20 mA)
0	ALARM of latest valid measurement	Outputs current of latest valid measurement
1	Positive alarm hysteresis = LOW Negative alarm hysteresis = HIGH	RE >RB: Current =3 mA RE <RB: Current =21 mA
2	Positive alarm hysteresis = HIGH Negative alarm hysteresis = LOW	RE >RB: Current =21 mA RE <RB: Current =3 mA

8.14. AC.....display/set ALARM center

AC sets the beginning of the distance range, for which the switching output will be turned active. The length of this active range can be set using the AW parameter.

AC must be selected in keeping with the currently set SF scale factor (see 9.4 Digital Switching Output (Alarm)).

8.15. AH.....display/set ALARM hysteresis

AH allows you to make parameter settings for the switching hysteresis at the beginning and the end point of the active range of the switching output.

AH must be selected so it is properly matched to the currently valid scale factor (SF).

The mathematical sign of AH can be used to set an active state logic level:

Positive sign (“+”): active range is HIGH-active.

Negative sign (“-“): active range is LOW-active.

No sign setting means positively-signed (see 9.4 Digital Switching Output (Alarm)).

8.16. **AW.....display/set ALARM width**

AW sets the length of the active range, beginning at AC.
 AW settings must be made in agreement with the currently valid SF scale factor.

AW is always equal or greater than "0" (zero).

AW is always equal or greater than |AH| (the amount of AH).

Standard setting is 100000 – means off.

8.17. **HO.....display/set temperature for heating on**¹⁹

HO displays/sets the temperature value at which the internal heating is switched on. The values can be varied between -40°C and 70°C.

Standard setting is 3°C.

8.18. **HF.....display/set temperature for heating off**¹⁹

HF displays/sets the temperature value at which the internal heating is switched off. The values can be varied between -40°C and 70°C.

Standard setting is 12°C.

8.19. **RB.....display/set distance of lout=4mA**

RB (Range Begin) defines the point of a distance range at which the analog output will begin to deliver varying distance readings.

At a distance of RB, the output current will be 4 mA.

RB must be selected so it is properly matched to the currently valid scale factor (SF) setting.

RB can be smaller or greater than RE! (see 9.5 Analog Output)!

In the event of a fault, the output value will correspond to the current that was set via parameter SE.

¹⁹ Only for devices with internal heating (LDM 41/42 A /h)

8.20. RE.....display/set distance of lout=20mA

RE (Range End) defines the point of a distance range at which the analog output will cease to deliver varying distance readings.

At a distance of RE, a current of 20 mA will be output.

RE must be selected so it is properly matched to the currently valid scale factor (SF) value. RE can be greater or smaller than RB!

In the event of a fault, the output value will correspond to the current that was set via parameter SE.

8.21. RMx y z.....display/set remove measurement

Standard setting: 0 0 0

RM is intended to facilitate settings for a range of expected distance values.

Values which are found to be outside of this expected range will be corrected until matching the most recently valid measured values.

RM is only effective in DT mode.

It consists of three parameters which are separated by space (20h).

- x designates the number of preceding measured values that will be evaluated in the case of non-conforming measurement. A maximum of ten preceding measured values can be evaluated.
- y defines the range of permissible values. If this range is exceeded in negative or positive direction, the respective measured value will be corrected accordingly.
- z stands for the number of values that are out of the permissible value range (out of tolerance values). In the event of out-of-tolerance values arriving in succession, the most recently corrected value will be included in the correction process for the next out-of-tolerance value. The maximum allowed number of out-of-tolerance values is 100.



Important: The use of RM parameter settings should be restricted to suitable applications only. Improper use of this parameter may create safety hazards!

8.22. TDx y.....display/set trigger delay and trigger level²⁰

TD is only intended for the configuration of the remote trigger input (see 8.6 DF.....distance measurement with external trigger).

TD consists of two sub parameters, of the actual delay value, i.e. the delay time, and the trigger level.

Trigger delay corresponds to the time from arrival of the trigger signal to the starting point of a measurement. It may be set to any value between 0 and 9999 ms. With the help of the trigger level one may define if measurement is to begin on a rising or a falling pulse slope.

Trigger delay and trigger level must be separated by space (20h) in the entry line. Standard setting: 0 0.

- x Delay time between trigger signal and start of measurement ,
delay can be set from 0 to 9999 ms.
- y 0 for HIGH → LOW-slope
1 for LOW → HIGH-slope

Example:

```
TD1000_0[Enter]
```

In the given example, the delay has been set to 1000 ms and the trigger slope to “rising“ (LOW-to-HIGH transition).

²⁰ Trigger function is not available for devices with internal heating (LDM 41/42 A /h)

8.23. TMx y.....display/set trigger mode trigger level²¹

TM provides parameter setting options for the auto-start trigger function which allows external triggering of the auto-start command that was set via parameter AS. Triggering is accomplished via the external trigger input. All starting modes which are selectable via AS can be launched and stopped by external triggering. These are:
DS/DT/DW/DX/DF/DM/TP/LO/ID.

TM consists of two parameters which are separated by space (20h).

- x 0...trigger function turned off
1...trigger function turned on

- y 0...measurement is triggered on trigger line at L-level
(HIGH → LOW slope)
1...measurement is triggered on trigger line at H-level
(LOW → HIGH slope)

Standard setting is TM0 1.

For triggering, the trigger level must be permanently applied!

²¹ Trigger function is not available for devices with internal heating (LDM 41/42 A /h)

Examples:

- a) ASDT
 TM1 1
 Trigger signal = H → DT is performed
 Trigger signal = L → DT is stopped

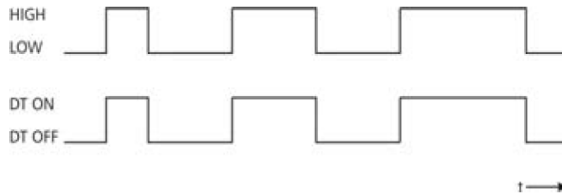


Figure 13: Trigger level = 1

- b) ASDM
 TM1 0
 Trigger signal=H → no change in state
 Trigger signal=L → DM active, i.e. one measurement is Triggered

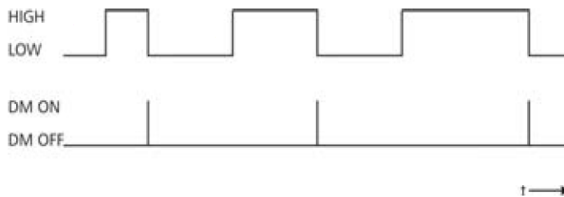


Figure 14: Trigger level = 0

8.24. BR.....display/set baud rate [2400..38400]

Available baud rate settings are: 2400, 4800, 9600, 19200, 38400.

Faulty entries will be rounded to the nearest baud rate.

A fixed data format of eight data bits, with no parity and one stop bit is used. Standard setting is 9600 baud.

8.25. AS....display/set auto start command

AS (auto start) defines which function will be carried out when power becomes available to the LDM 41/42 A.

Possible entries are those delivering a measured value on the output side, an ID command or the command for turning the Laser on (LO).

For example, if ASDT has been parameterized, the LDM 41/42 A will begin with distance tracking on turning on power.

8.26. OF.....display/set distance offset

With the help of OF (offset) the user may define a zero-point for his/her application. For details on the position of the module's zero-point, refer to section 4.

OF must be selected so it is properly matched to the currently valid scale factor setting (SF).

OF may also take on negative values. Standard setting: 0

8.27. SO.....set current distance to offset

SO performs a distance measurement and saves the measured reading as an offset value with inverted mathematical sign (OF).

8.28. LO.....Laser on

LO turns the Laser on. This function can be used for orientation or functional testing of the LDM 41/42 A. After the command LO it's necessary to send LF! Don't use LO because this. Please use instead of LO the command DT to turn the Laser on.

8.29. LF.....Laser off

LF turns the Laser off.

8.30. PA.....display settings

PA lists all parameters in a table.

8.31. PR.....reset settings

PR resets all parameters (except for baud rate). After this a new configuration of the LDM 41/42 A is necessary!

```

average value[SA].....1
display format[SD].....d
measure time[ST].....0
scale factor[SF].....1
error mode[SE].....1
ALARM center[AC].....1000
ALARM hysteresis[AH].....0.1
ALARM width[AW].....100000
distance of Iout=4mA [RB].....1000
distance of Iout=20mA [RE].....2000
remove measurement [RM].....0 0 0
trigger delay, trigger level[TD]..0 0
trigger mode, trigger level[TM]...0 1
baud rate[BR].....9600
autostart command[AS].....ID
distance offset[OF].....0
    
```



Use instead of PR the “Set Standard” command from Windows program LDMTTool.

9. Interface Connection



The LDM 41/42 A provide one serial port type **RS232** or **RS422** depending on the version (see label). For devices with RS232, the RS422 transmission lines (TX +, TX-) are also available.

9.1. Serial Interface RS232

Initially, RS232 communication interfaces purely functioned as PC communication ports. They have become the established standard tool for serial data transmission over short cable lengths. With greater transmission lengths, the interface is highly susceptible to interferences, notably, in the vicinity of strong electromagnetic noise emitters. Therefore, it should only be used for LDM 41/42 A configuration.

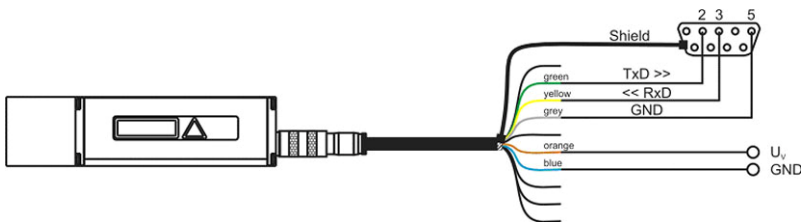


Figure 15: Diagram of RS232 wiring at 9-position D-Sub cable jack

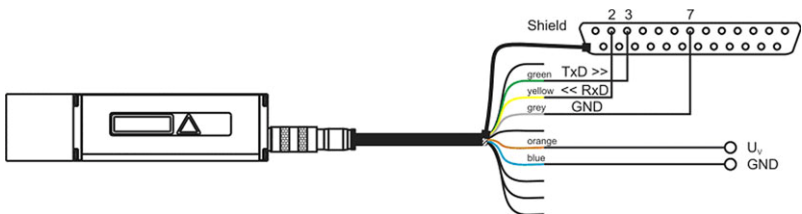


Figure 16: Diagram of RS232 wiring at 25-pole D-Sub cable jack

The commands of the serial interface are described in chapter 8 starting page 22. The data output format is determined by parameter SD (display format), see page 29.

9.2. Serial Interface RS422

For configuration purposes and permanent data transmissions over a greater length, the RS422 can be used. This type of interface is unsusceptible to interference and noise influences and qualifies for industrial use. Where twisted cable pairs are involved, transmissions lengths up to 300 m can be handled.

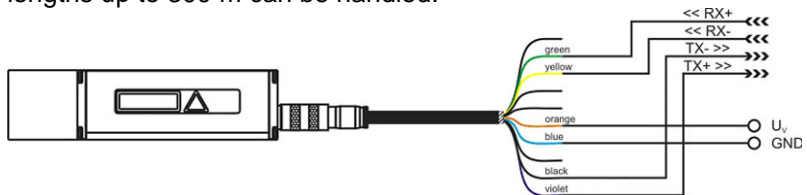


Figure 17: RS422 wiring diagram

Since a standard PC typically includes no RS422 communication port, you require an RS422 interface card or an RS422-to-RS232 converter for communication.

9.3. Output Format on the serial interface

The output format on the serial interface is selected by the command SD. There are three modes available:

Parameter	Output	Format
d	decimal	xxx.xxx<CR><LF> x=0...9
h	hexadecimal	<SPACE>xxxxxx<CR><LF> x=0...F
s	decimal with signal quality	xxx.xxx<SPACE>yyyyyy<CR><LF> x=0...9; y=0...9

SD affects all commands that output a distance value. An output value is calculated from a given measured distance value (in mm), multiplied by the scale factor SF. Negative distance values are output in two's complement notation.

The value for the signal quality varies between 0 and 1024. 0 means a bad signal quality while 1024 indicates a very good signal quality.

Examples:

Distance = 4.996 m, SF1

```
dec:      004.996<CR><LF>
hex:      _001384<CR><LF> (= 4996 mm x SF1)
dec+sig:  004.996_000005<CR><LF> (bad signal quality)
dec+sig:  004.996_000985<CR><LF> (good signal quality)
```

Distance = 4.996 m, SF10

```
dec:      049.960<CR><LF>
hex:      _00C328<CR><LF> (= 49960 = 4996 mm x SF10)
dec+sig:  004.996_000005<CR><LF> (bad signal quality)
dec+sig:  049.960_000985<CR><LF> (good signal quality)
```

Error case

```
dec/hex:  E15<CR><LF>
(see page 50 chapter 11 Error Codes)
```

9.4. Digital Switching Output (Alarm)

With the help of a user-selectable distance threshold, the switching output can be set to monitor objects or conditions for positive or negative overstep.

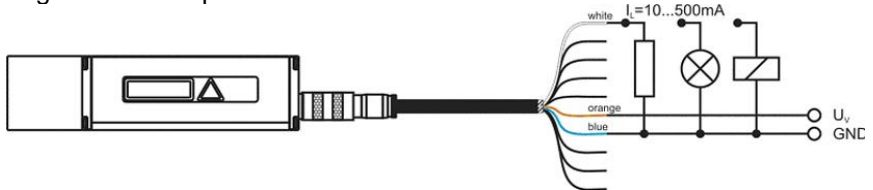


Figure 18: Wiring diagram of digital switching output

For example, using the digital switching output, an object which was selected for measurement can be monitored for excision of a threshold value. To do this, parameter settings for a measurement window are required. Settings for this window can be made via the three parameters: Alarm Center (AC), Alarm Hysteresis (AH) and Alarm Width. The range which will be subject to monitoring begins at AC and ends at AC+AW. Switching transitions can be set via parameter AH. The logic state of the switching output follows from the mathematical sign of AH.

In the case of a positive AH, the output switches

- with increasing distance:
 - from LOW to HIGH if the distance is greater than $(AC \pm AH/2)$
 - from HIGH to LOW if the distance is greater than $(AC+AW+AH/2)$
- with decreasing distance:
 - from LOW to HIGH if the distance is smaller than $(AC +AW-AH/2)$
 - from HIGH to LOW the distance is smaller than $(AC-AH/2)$

In the case of a negative AH, the output switching pattern will be inverse.

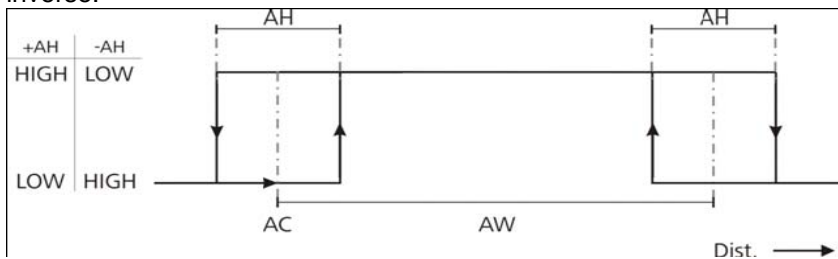


Figure 19: Digital switching output behavior with positive and negative hysteresis

Interface Connection

Example:

A moving object is assumed to be monitored within a window of 10 m to 11 m with a hysteresis of 0.2 m.

AC10
AH0.2
AW1

Distance (m) increases →										
	9.8	9.9	10.0	10.1	10.2	...	11.0	11.1	11.2	11.3
+AH	L	L	L	H	H	H	H	L	L	L
-AH	H	H	H	L	L	L	L	H	H	H

Distance (m) decreases →										
	11,3	11,2	11,1	11,0	10,9	10,8	...	10,0	9,9	9,8
+AH	L	L	L	L	H	H	H	H	H	L
-AH	H	H	H	H	L	L	L	L	L	H

L = LOW, H = HIGH

How the switching output is to behave on occurrence of an error message (E15, E16, E17, E18) can be defined by making suitable settings under "SE" (see 8.13 SE.....display/set error mode [0/1/2]).

9.5. Analog Output

The purpose of the analog output is to allow transmission of analog measured values via a 4..20mA interface.

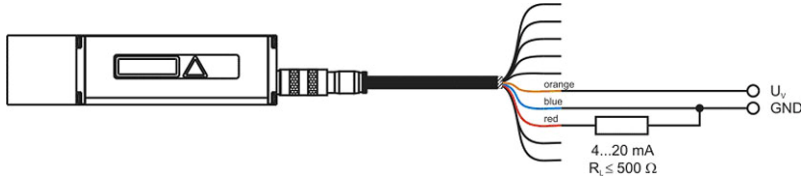


Figure 20: Wiring diagram of analog output

The current is proportional to the measured target distance. This applies within a distance interval that is marked by the two limiting parameters “Range Begin“ (RB) and “Range End“ (RE), where RE may be greater or smaller than RB (see 8.17 and 8.20).

The output current value is calculated according to this equation:

$$RE > RB: \quad I_{OUT} [mA] = 4 \text{ mA} + 16 \cdot \left(\frac{\text{Distanz} - RB}{RE - RB} \right) \cdot \text{mA}$$

$$RE < RB: \quad I_{OUT} [mA] = 20 \text{ mA} - 16 \cdot \left(\frac{\text{Distanz} - RE}{RB - RE} \right) \cdot \text{mA}$$

Current out of distance range:

	Distance = RB	Distance = RE
RE > RB	4 mA	20 mA
RB > RE	20 mA	4 mA

Example:

RB	RE	0 m	2 m	4 m	6 m	8 m	10 m	11 m
2 m	10 m	4 mA	4 mA	8 mA	12 mA	16 mA	20 mA	20 mA

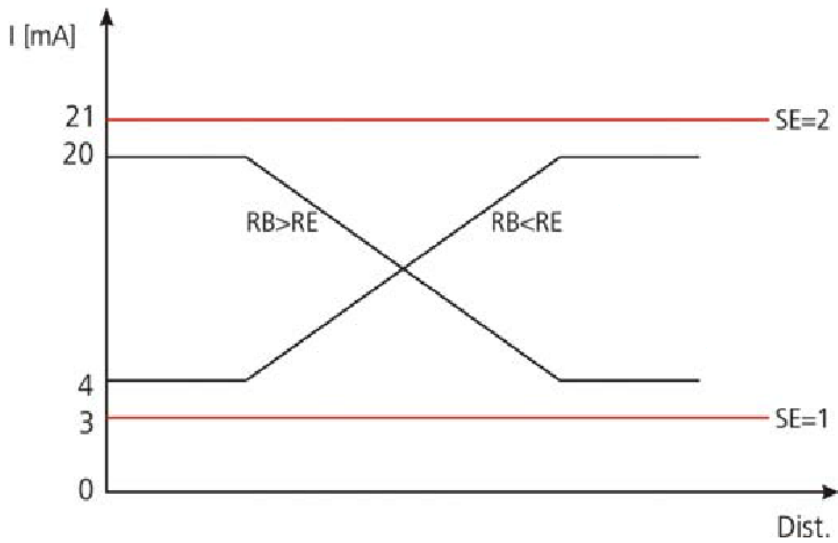


Figure 21: Output current diagram for $RE > RB$ and $RE < RB$

To match analog output behaviour in the event of an error message (E15, E16, E17, E18), appropriate settings can be made under “SE”(see 8.13).

9.6. Trigger Input²²

The trigger input is intended for triggering a distance measurement with an external signal that is applied as a voltage pulse between 3 V and 24 V. This input is used only in trigger mode DF (DF.....distance measurement with external trigger)!



Figure 22: Wiring diagram of trigger input

It is for the user to specify a desired delay time and a pulse slope to be selected for synchronization (see 8.22 TDx y.....display/set trigger delay and trigger level). Having done this, the LDM 41/42 A has to be switched to trigger mode (see 8.6 DF.....distance measurement with external trigger).

²² Trigger function is not available for devices with internal heating (LDM 41/42 A /h)

10. List of Commands

Command	Description
DT	Starts distance tracking
DS	Starts distance tracking (< 7 m)
DW	Starts distance tracking on white target at 10 Hz
DX	Starts distance tracking on white target at 50 Hz (only LDM 42 A)
DF ²³	Starts remote-triggered single distance measurement (single shot)
DM	Starts single distance measurement (single shot)
TP	Queries inner temperature
SA	Queries / sets floating average value (1...20)
SD	Queries / sets output format (dec/hex/sig)
ST	Queries / sets time to measure (0...25)
SF	Queries / sets scale factor
SE	Queries / sets error mode (0, 1, 2)
AC	Queries / sets alarm center
AH	Queries / sets alarm hysteresis
AW	Queries / sets alarm with
HO ²⁴	Queries / sets temperature for heating on
HF ²⁴	Queries / sets temperature for heating off
RB	Queries / sets beginning of range (4 mA)
RE	Queries / sets end of range (20 mA)
RM	Queries / sets removal measurement parameters
TD	Queries / sets trigger delay and level
TM	Queries / sets trigger mode and level

²³ Trigger function is not available for devices with internal heating (LDM 41/42 A /h)

²⁴ Only for devices with internal heating (LDM 41/42 A /h)

BR	Queries / sets baud rate
AS	Queries / sets auto start
OF	Queries / sets offset
SO	Sets current distance as offset
LO	Turns Laser on (do not use, please use DT)
LF	Turns Laser off
PA	Displays all parameter values
PR	Resets all parameters to standard values (don't use)

11. Error Codes

Code	Description	Action
E15	Reflexes are too weak, or distance from LDM (front edge) to target is less than 0.1 m	Use white target board ²⁵ or increase distance to target
E16	Reflexes are too strong	Use white target board or filter
E17	Too much steady light (e.g. sun) or reflexes are too strong	Use aperture or filter or white target board
E18	DX mode (only LDM 42 A): reflexes too weak, or distance from LDM (front edge) to target is less than 0.1 m	Use white target board or increase distance to target
E23	Inner temperature below – 10°C	Heating necessary
E24	Inner temperature above + 60°C	Cooling necessary
E31	EEPROM checksum error	Necessary to repair
E51	Failed to set avalanche voltage	Necessary to repair
E52	Excessively high Laser current / Laser defect	Necessary to repair
E53	Division by 0	SF must be unequal of zero or necessary to repair
E54	Hardware error, PLL range	Necessary to repair
E55	Other hardware error	Necessary to repair
E61	Invalid command	Correct input
E62	Wrong parameter, wrong command	Check data transmission
E63	SIO overflow	Check data transmission
E64	SIO framing error	Check data transmission

²⁵ e.g. 3M, self adhesive foil matte white

12. PC Interface Cable (Option)

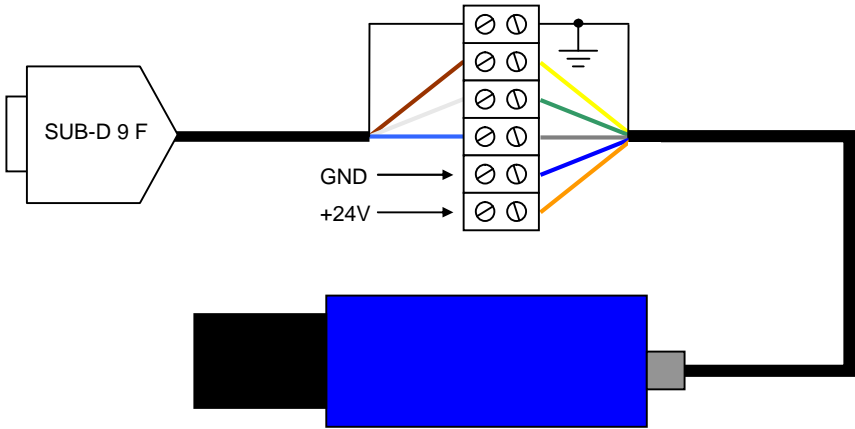


Figure 23: RS 232 cable with power supply for LDM 41/42 A

No.	SUB-D 9 F	Colour code	Designation SUB-D 9 F (PC COM)
	Shield	-	Cable shield
	3	brown	TxD
	2	white	RxD
	5	blue	GND

Pin LDM 41/42 A	Colour code	Designation LDM 41/42 A with RS 232
Shield	-	Cable shield
A	green	TxD / RX+
B	yellow	RxD / RX-
C ²⁶	brown	TRIG
D	red	IOU
E	black	TX-
F	purple	TX+
G	orange	VCC
H	white	ALARM
J	grey	GND
L	blue	GND



Please use only high quality shielded cable.
RS 232 Cable: TxD and RxD are necessary to cross.

²⁶ Trigger function is not available for devices with internal heating (LDM 41/42 A /h)

13. EC Declaration of Conformity



In accordance with the

Directive of Electromagnetic Compatibility 2004/108/EG

The company ASTECH Angewandte Sensortechnik GmbH in
Schonenfahrerstr. 5, 18057 Rostock / Germany herewith declare,
represented by the signatory, that the following designated product

Laser Distance Measurement Sensor

LDM 41 A / LDM 42 A

agree with the following harmonized standard:

IEC 61326-1

**Electromagnetic interference and electromagnetic compatibility
(EMC) *including radio interference**

Rostock, September 21. 2010
ASTECH Angewandte Sensortechnik GmbH

A handwritten signature in blue ink, appearing to read 'Volker Ahrendt', is written over a horizontal line.

Volker Ahrendt
General Manager

14. Part Numbers

Part-No.	Name
10-2000-00	LDM41A
10-2000-01	LDM41A/RS422
10-2001-00	LDM42A
10-2001-01	LDM42A/RS422
10-2010-00	LDM41A/h with heating
10-2010-01	LDM41A/RS422/h with heating
10-2011-00	LDM42A/h with heating
10-2011-01	LDM42A/RS422/h with heating
10-2020-00	LDM41A with pressure equalizing element
10-2020-01	LDM41A/RS422 with pressure equalizing element
12-2006-00	Protection window Standard for LDM4x-Serie
12-2006-01	Protection window Quartz glass for LDM4x-Serie
12-2006-02	Protection window Sapphire glass for LDM4x-Serie
12-2007-00	Gray filter 2-fach for LDM4x-Serie
12-2007-01	Gray filter 4-fach for LDM4x-Serie
12-2010-00	Reflection foil matte/white, A4
12-2011-00	Highly reflective foil silver, A4
12-2015-00	Protection tube for pressure air for LDM4x-Serie
15-2000-00	Connection cable LDM41/42A, 2m
15-2000-01	Connection cable LDM41/42A, 5m
15-2000-02	Connection cable LDM41/42A, 10m
15-2000-03	Connection cable LDM41/42A, 15m
15-2000-04	Connection cable LDM41/42A, 20m
15-2000-05	Connection cable LDM41/42A, 30m
15-2000-06	Connection cable LDM41/42A, 50m
15-2001-00	RS232-Kabel D-SUB9F/Lüsterkl., 2m for LDM-Serie
16-0000-00	ASTECH CD (LDM, VLM)
16-2000-01	Printed Manual LDM41/42A, A5, DE
16-2000-02	Printed Manual LDM41/42A, A5, EN
17-2000-00	License number for PC-Software LDMTOOL for LDM3x und LDM4x

Note: Several single sensors are also available as packages including sensor and cable, manual and CD (sets). Additionally are other protection enclosures with and without a thermostat available.

