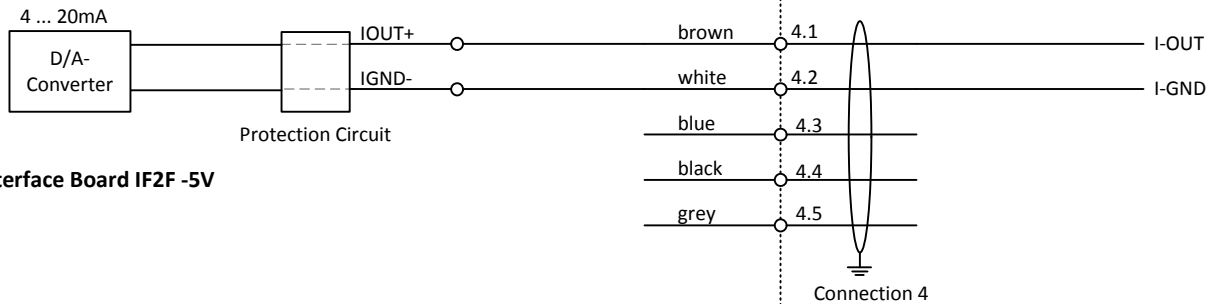
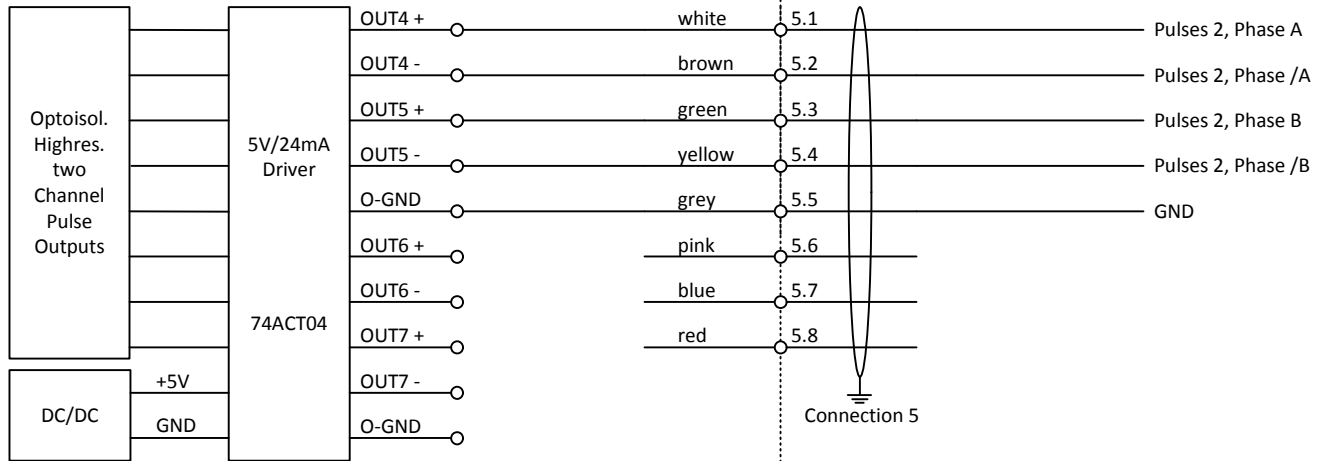
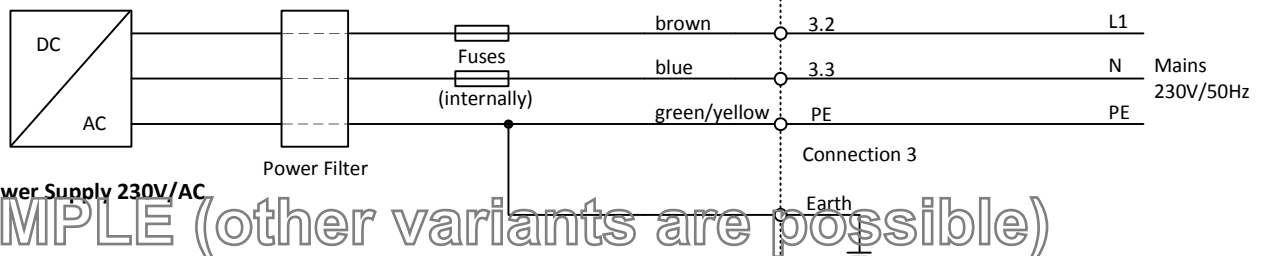


Connection Board AB3



Interface Board IF2F -5V



EXAMPLE (other variants are possible)