

1

2

3

4

5

6

RevNo	Revision note		Date	Signature	Checked
-------	---------------	--	------	-----------	---------

A

A

B

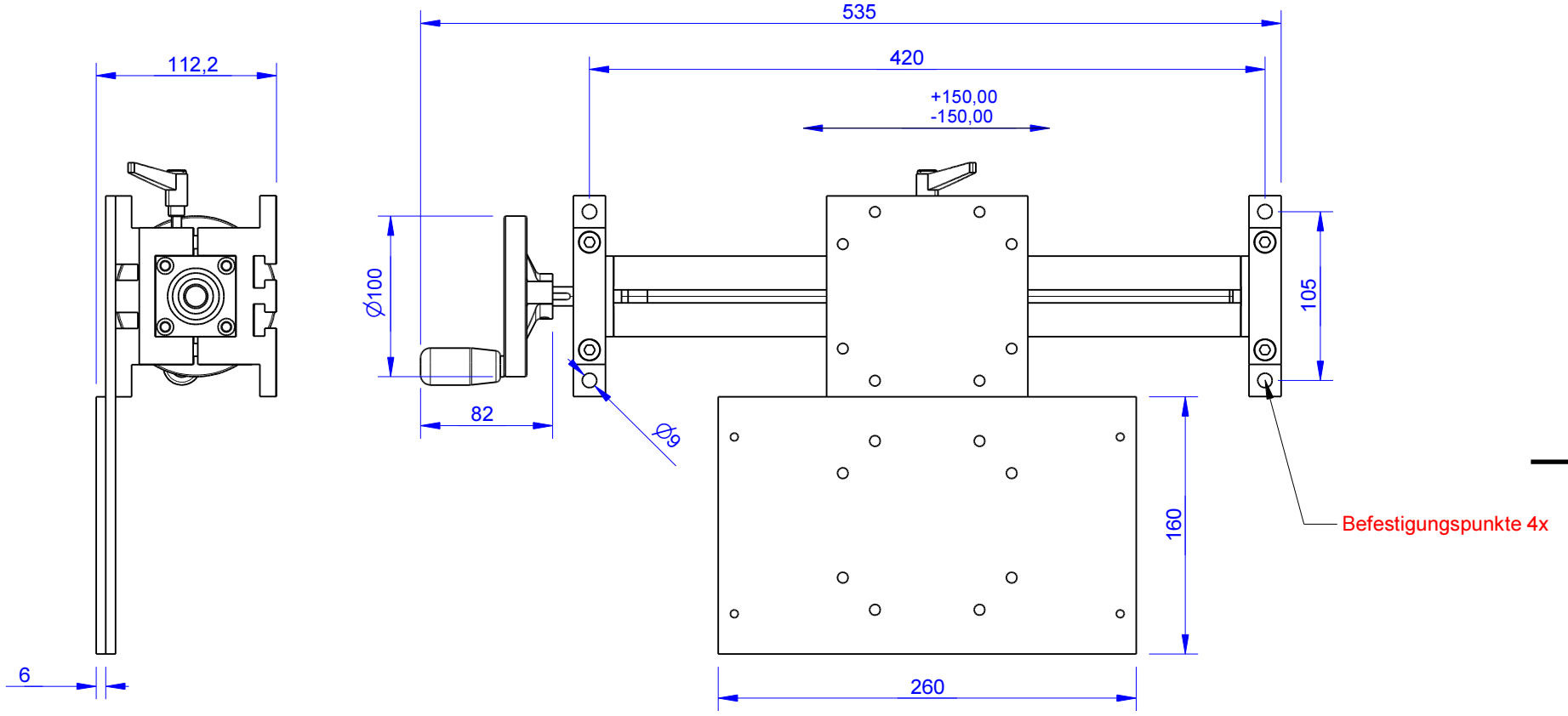
B

C

C

D

D



Itemref	Quantity	File name z:\... Design\WLM500\Zubehör\LJxLJ1.AD_DRW			Article No. <b>12-1006-00</b>	
Drawn by <b>mwe</b>		Checked by -	Approved by -	Dimension mm	Date <b>12.11.2015</b>	Scale <b>1:4</b>



ASTECH GmbH  
 Schonenfaherstr. 5  
 18057 Rostock  
 Tel. 0381-44073-0

**Lineareinheit LJ1**

<b>Material:</b>	<b>Oberfläche:</b>	Edition <b>A</b>	Sheet <b>1/1</b>
------------------	--------------------	------------------	------------------

1

2

3

4

5

6